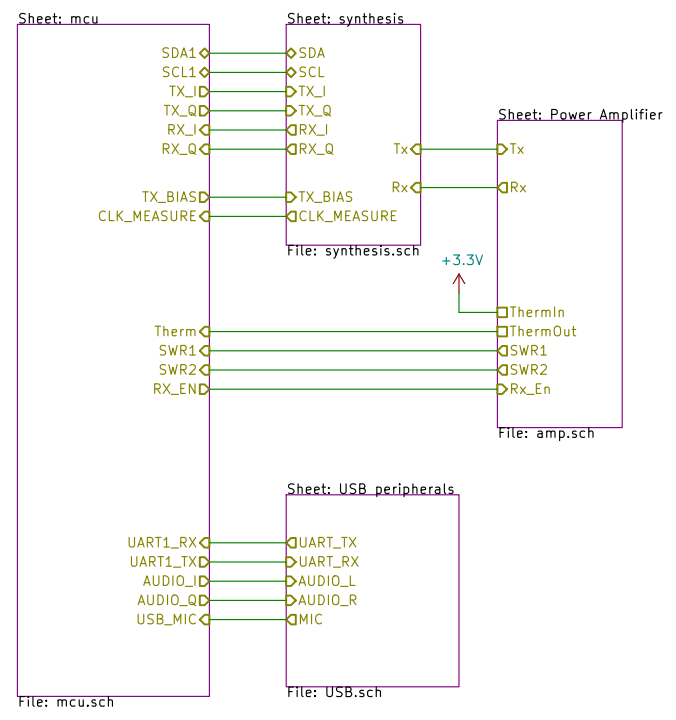
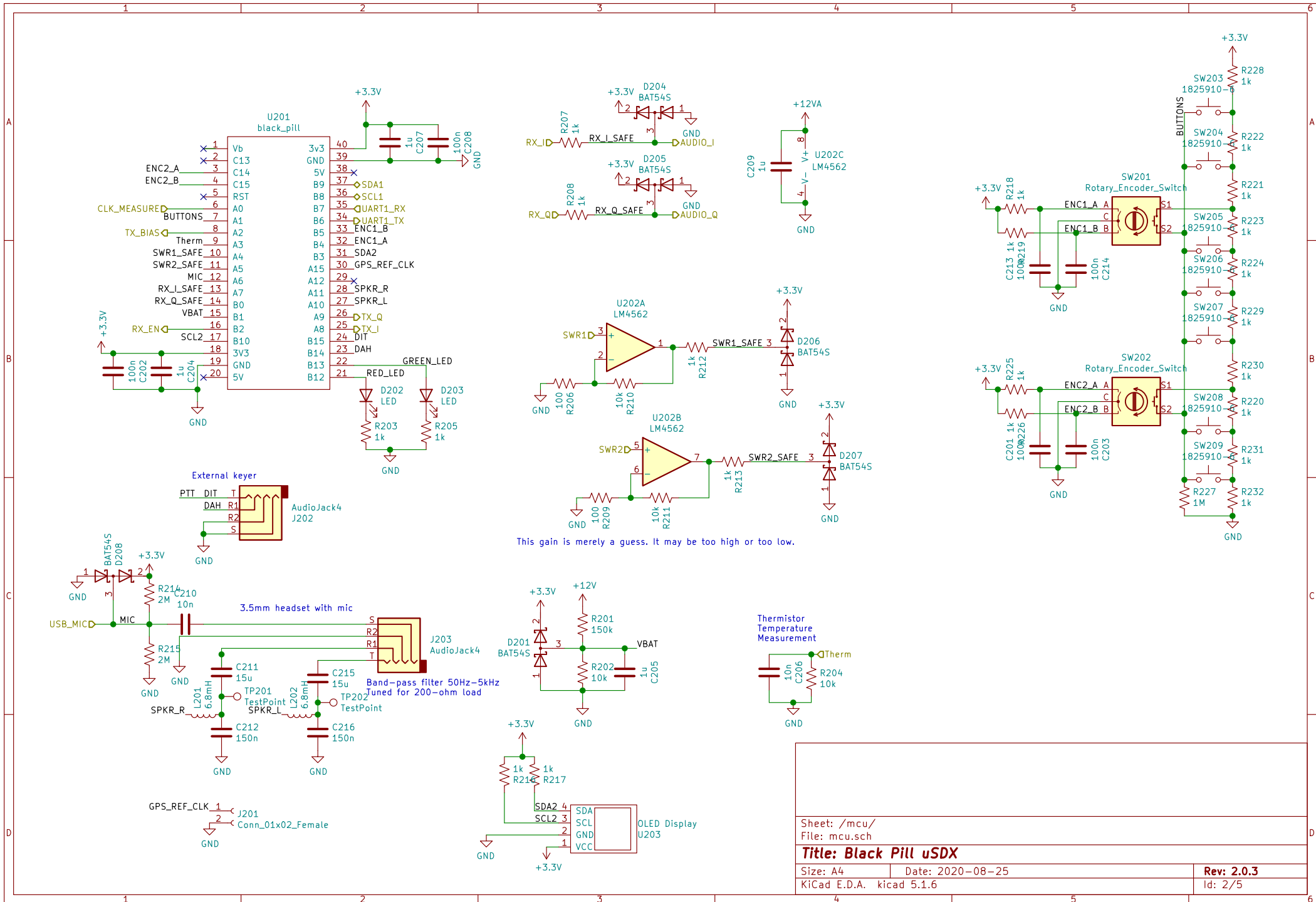


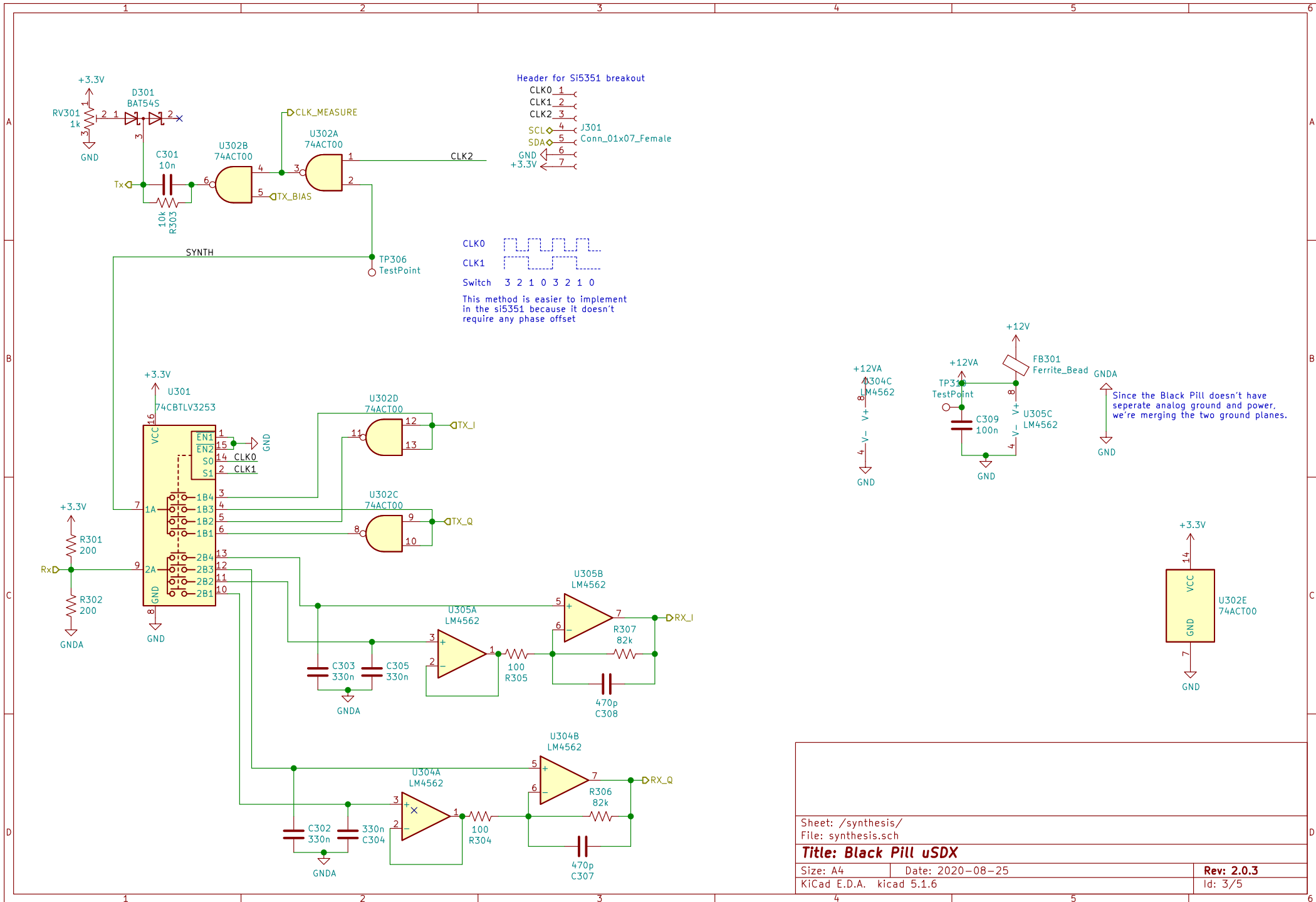
-  H101 MountingHole
-  H102 MountingHole
-  H104 MountingHole

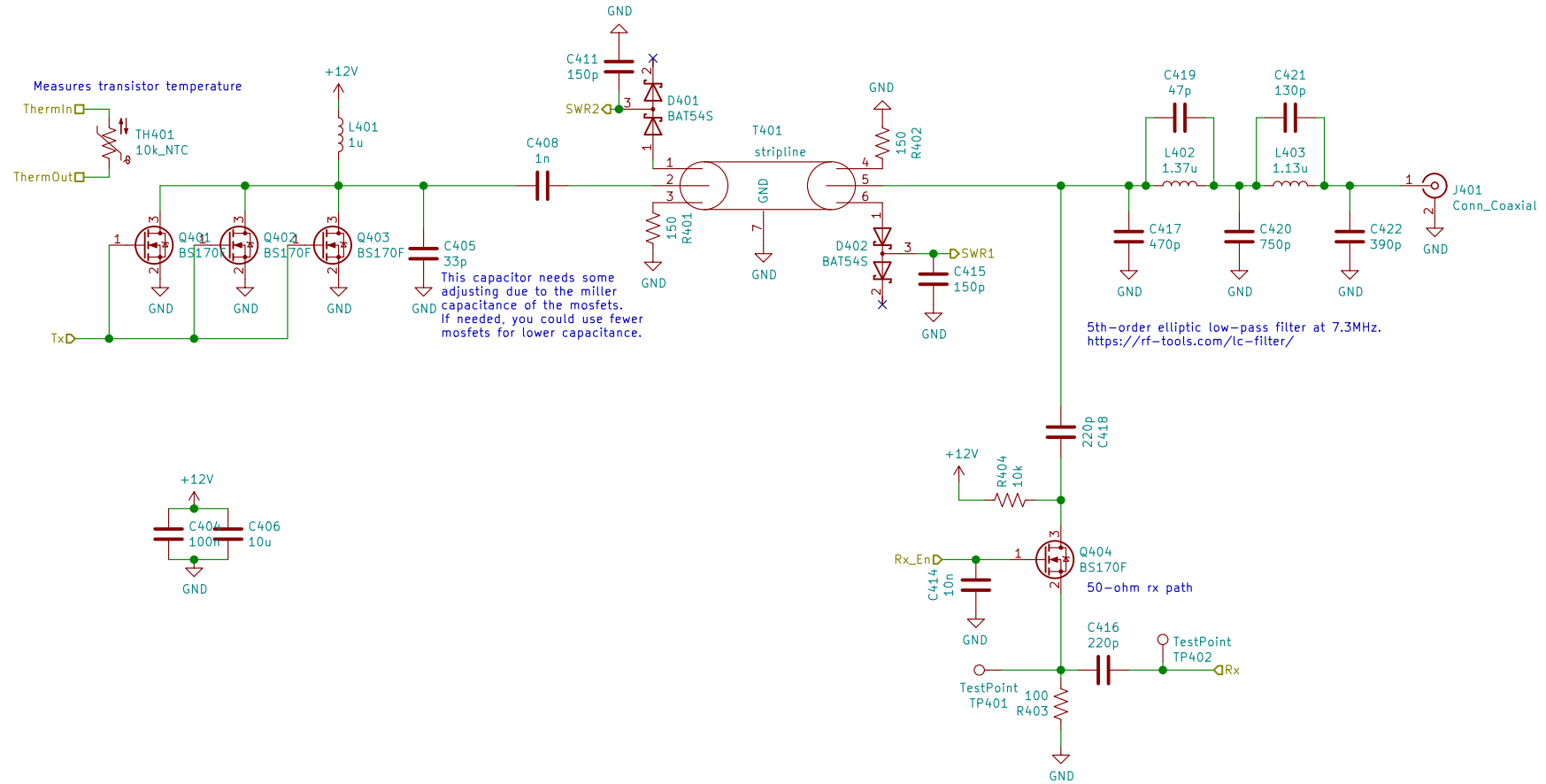


Sheet: /	
File: uSDX.sch	
Title: Black Pill uSDX	
Size: USLetter	Date: 2020-08-25
KiCad E.D.A. kicad 5.1.6	Rev: 2.0.3
	Id: 1/5



Sheet: /mcu/		File: mcu.sch	
Title: Black Pill uSDX			
Size: A4	Date: 2020-08-25	Rev: 2.0.3	
KiCad E.D.A.	kiCad 5.1.6	Id: 2/5	



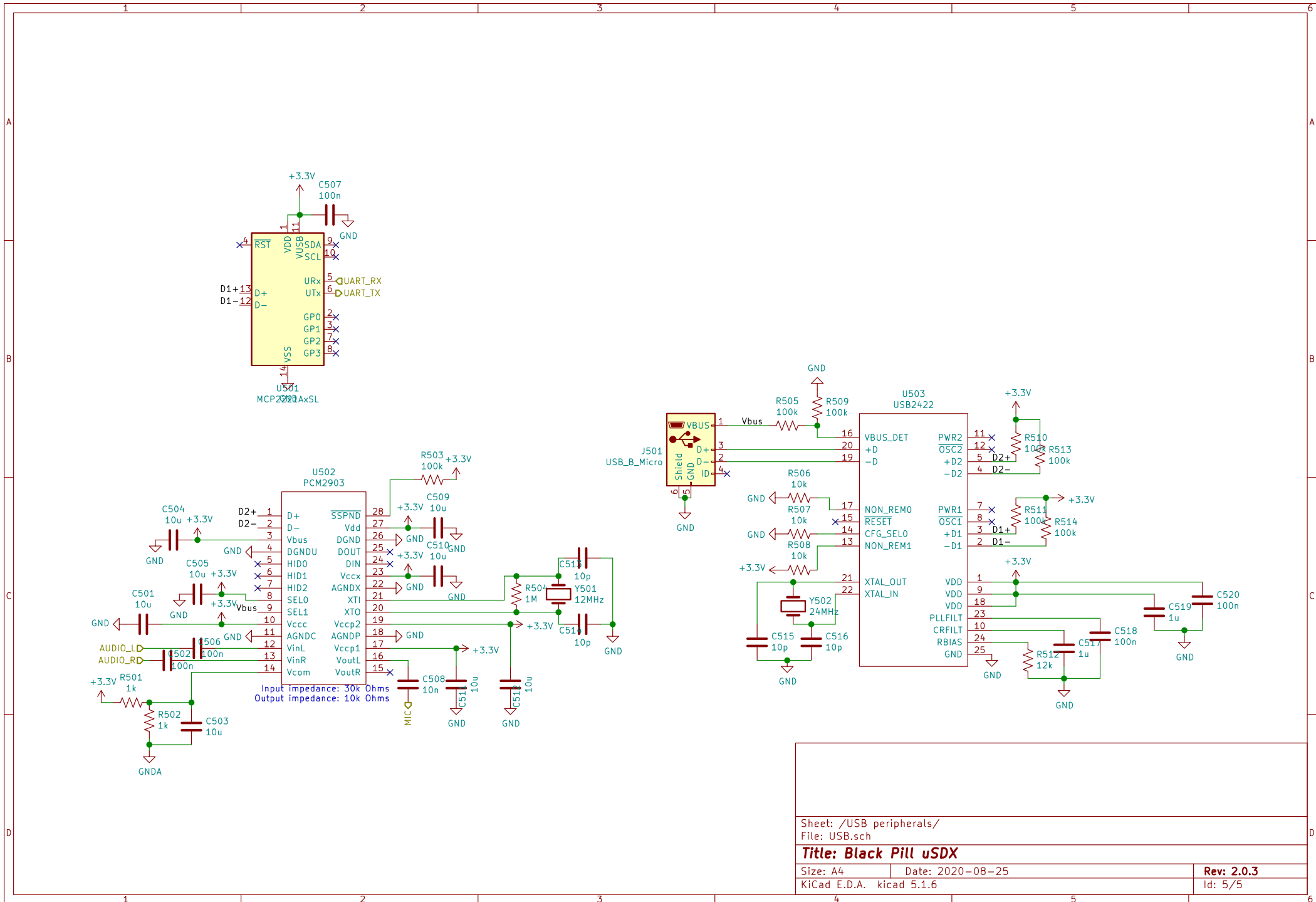


Sheet: /Power Amplifier/
File: amp.sch

Title: Black Pill uSDX

Size: A4 Date: 2020-08-25
KiCad E.D.A. kicad 5.1.6

Rev: 2.0.3
Id: 4/5



Sheet: /USB peripherals/
 File: USB.sch

Title: Black Pill uSDX

Size: A4 Date: 2020-08-25
 KiCad E.D.A. kicad 5.1.6

Rev: 2.0.3
 Id: 5/5