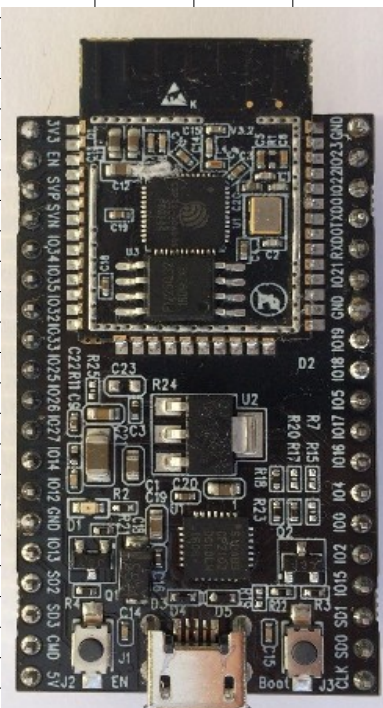


ESP32-Devkit-C		
3V3		Gnd
EN Used by program logic. SW2 grounds via resistor.		GPIO23, VSPID, HS1_STROBE
		GPIO22, VSPWP, U0RTS, EMAC_TXD1
		GPIO1, U0TXD, CLK_OUT3, EMAC_RXD2
GPIO34, ADC1_CH6, RTC_GPIO4		GPIO3, U0RXD, CLK_OUT2
GPIO35, ADC1_CH7, RTC_GPIO5		GPIO21, VSPHID, EMAC_TX_EN
GPIO32, 32K_XP (32.768 kHz osc i/p), ADC1_CH4, TOUCH9, RTC_GPIO9		Gnd
GPIO33, 32K_XN (32.768 kHz osc o/p), ADC1_CH5, TOUCH8, RTC_GPIO8		GPIO19, VSPIQ, U0CTS, EMAC_TXD0
GPIO25, DAC_1, ADC2_CH8, RTC_GPIO6, EMAC_RXD0		GPIO18, VSPICLK, HS1_DATA7
GPIO26, DAC_2, ADC2_CH9, RTC_GPIO7, EMAC_RXD1		GPIO5, VSPICS0, HS1_DATA6, EMAC_RX_CLK
GPIO27, ADC2_CH7, TOUCH7, RTC_GPIO17, EMAC_RX_DV		GPIO17, HS1_DATA5, U2TXD, EMAC_CLK_OUT_180
GPIO14, ADC2_CH6, TOUCH6, RTC_GPIO16, MTMS, HSPI-CLK, HS2_CLK, SD_CLK, EMAC_TXD2		GPIO16, HS1_DATA4, U2RXD, EMAC_CLK_OUT
GPIO12, ADC2_CH5, TOUCH5, RTC_GPIO15, MTDI, HSPIQ, HS2_DATA2, SD_DATA2, EMAC_TXD3		GPIO4, ADC2_CH0, TOUCH0, RTC_GPIO10, HSPHID, HS2_DATA1, SD_DATA1, EMAC_TX_ER
Gnd		GPIO0, ADC2_CH1, TOUCH1, RTC_GPIO11, CLK_OUT1, EMAC_TX_CLK
GPIO13, ADC2_CH4, TOUCH4, RTC_GPIO14, MTCK, HSPID, HS2_DATA3, SD_DATA3, EMAC_RX_ER		GPIO2, ADC2_CH2, TOUCH2, RTC_GPIO12, HSPWP, HS2_DATA0, SD_DATA0 External pulldown
GPIO9, SD_DATA2, SPIHD, HS1_DATA2, U1RXD		GPIO15, ADC2_CH3, TOUCH3, RTC_GPIO13, MTD0, HSPICS0, HS2_CMD, SD_CMD, EMAC_RXD3
GPIO10, SD_DATA3, SPIWP, HS1_DATA3, U1TXD		GPIO8, SD_DATA1, SPID, HS1_DATA1, U2CTS
Marked Gnd Something odd here: caused crashes when I used it. Avoid.		GPIO7, SD_DATA0, SPIQ, HS1_DATA0, U2RTS
5V		GPIO6, SD_CLK, SPICLK, HS1_CLK, U1CTS

ADC: FSD = 4095 = 1.109V (Because 693mV gave 2559. Is the limit 1.0V?)

DAC: FSD = 255 = 3.19V (Vs = 3.3V). 127 gave 1.63V implying 3.3V FS.	Value	Expected	Actual	Error %
SPI: Hardware SPI ID1 is HSPI, ID2 is VSPI. Any pins may be used - native pins are faster. ID1 MISO 12 MOSI 13 CLK 14 ID2 MISO 19 MOSI 23 CLK 18 machine.SPI(1, baudrate=100000, sck=2, mosi=15, miso=4) to alter pins.	10	0.13	0.21	2.4
	20	0.26	0.33	2.1
	127	1.64	1.63	-0.3
	200	2.58	2.53	-1.5
	240	3.11	3.01	-3
	255	3.3	3.19	-3.3
Must not be pulled low or high on boot. Affects supply voltage to flash. <a href="https://github.com/micropython/micropython/issues/5149">https://github.com/micropython/micropython/issues/5149</a>				

- Used for internal flash, not recommended for other use
- Input only. No internal pullup or pulldown.
- Used by USB/REPL
- GPIO0 has a 5KΩ external pullup. SW0 grounds via 470Ω
- Used on ESP32-WROVER-KIT etc to access external SPI RAM

ESP32-D2WD is the chip with embedded 2MB flash and the internal flash is connected to different pins (GPIO16, GPIO17, SD\_CMD, SD\_CLK, SD\_DATA\_0 and SD\_DATA\_1)